

# Stands

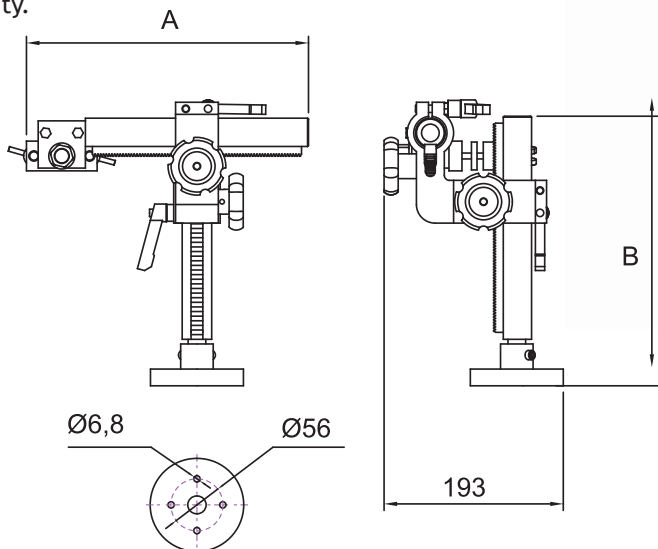
## Torch Stand TE

### Best torch position

The torch stands TE-XYR can easily be screwed to different grounds. The torch can easily be brought into the best horizontal or vertical position via the two handwheels.

### Features

- Torch positioning via handwheel (vertically/horizontally).
- Torch holder with lever.
- Easy assembly.
- High stability.



Type	TE-XYR10	TE-XYR20	TE-XY30R	TE-X30YR	TE-XYR30
Horizontal movement	100 mm	100 mm	100 mm	300 mm	300 mm
Horizontal operation	manually	manually	manually	manually	manually
Vertical movement	100 mm	200 mm	300 mm	100 mm	300 mm
Vertical operation	manually	manually	manually	manually	manually
Max. Max. load boom end	6 kg	6 kg	6 kg	6 kg	6 kg
Meas. (pic. AxB)	290 x 290	390 x 339	290 x 490	490 x 290	490 x 490
Item number	02.20.14.10010 (old: 71821110)	02.20.14.10020	02.20.14.10030 (old: 71821112)	02.20.14.10032 (old: 71821114)	02.20.14.10034 (old: 71821115)

