

# Positioners, heavy-duty

## Welding Positioner POS-TW and POS-TS series

### For heavy industries

When choosing a turntable, the turning and tilting moment must be considered by all means. The distance between the center of gravity of the workpiece and the faceplate must be considered and the eccentric distance of the center of gravity and the center respectively. Workpieces can be optimally positioned for welding with a turning and tilting table.

### Features

- Robust design.
- Infinitely variable speed control.
- Hand remote control.
- HF-protected.



All listed positioners have an input voltage of: 3P, 400 V, 50 HZ



### Scope of delivery:

- 1 Control unit (integrated)
- 1 Cable remote control
- 1 Foot switch

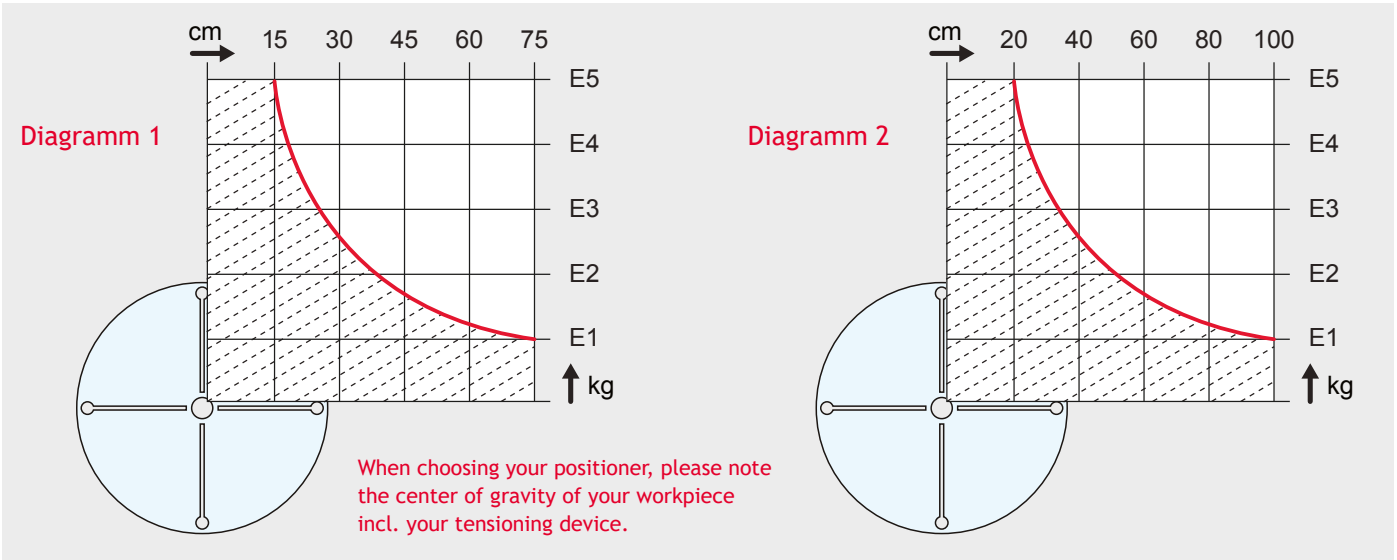
Model	POS-1 TW	POS-1 TS	POS-2 TW	POS-2 TS	POS-3 TW	POS-3 TS	POS-4 TW	POS-4 TS
Max. Load	1 t		2 t		3 t		4 t	
Max. rotation torque	2000 Nm		4000 Nm		6000 Nm		8000 Nm	
Max. tilt torque	3000 Nm		6000 Nm		9000 Nm		12.000 Nm	
Centre of gravity	300 mm		300 mm		300 mm		300 mm	
Eccentricity	200 mm		200 mm		200 mm		200 mm	
Rotation speed TW-Series	0,12 – 1,2 u/min		0,1 – 1,0 u/min		0,05 – 0,5 u/min		0,05 – 0,5 u/min	
Rotating speed TS-Series	0,05 – 5 u/min (Servo motor)							
Rotating power TS-Series	1,3 KW		1,8 KW		2,9 KW		4,4 KW	
Tilt speed	0,35 u/min		0,35 u/min		0,35 u/min		0,35 u/min	
Tilt range(°)	0 – 135°		0 – 135°		0 – 130°		0 – 130°	
Max turning dia at 90 deg	1350 mm		1630 mm		1750 mm		1850 mm	
Mounting hole circle Ø	130 mm - max. 270 mm		140 mm - max. 360		125 mm - max. 470			
Table diameter	900 mm		1100 mm		1300 mm		1300 mm	
Measurement (LxWxH) mm	1475x1050x900		1640x1150x1000		1800x1350x1050		1800x1350x1050	
Welding current	500 A		500 A		700 A		700 A	
Item no. POS-TW Serie	02.30.02.01012		02.30.02.01020		02.30.02.01032		02.30.02.01040	
Item no. POS-TS Serie	02.30.02.02010		02.30.02.02020		02.30.02.02030		02.30.02.02040	

Model	POS-5 TW	POS-5 TS	POS-6 TW	POS-8 TW	POS-10 TW
Max. Load	5 t		6 t	8 t	10 t
Max. rotation torque	10.000 Nm		12.000 Nm	16.000 Nm	20.000 Nm
Max. tilt torque	15.000 Nm		18.000 Nm	32.000 Nm	40.000 Nm
Centre of gravity	300 mm		300 mm	400 mm	400 mm
Eccentricity	200 mm		200 mm	200 mm	200 mm
Rotating speed	0,05 – 0,5 u/min	0,05 – 5 u/min	0,05 – 0,5 u/min	0,02 – 0,2 u/min	0,02 – 0,2 u/min
Rotating speed TS-Series	5,5 KW				
Tilt speed	0,2 u/min		0,2 u/min	0,2 u/min	0,2 u/min
Tilt range(°)	0 – 130°		0 – 130°	0 – 130°	0 – 130°
Max turning dia at 90 deg	2000 mm		2180 mm	2300 mm	2500 mm
Mounting hole circle Ø	195 mm - max. 500			240 mm- max. 590	240 mm - max. 690
Table diameter	1500 mm		1600 mm	1800 mm	2000 mm
Measurement (LxWxH) mm	2200x1600x1200		2200x1600x1300	2500x1800x1425	2720x2000x1600
Welding current	700 A		700 A	1000 A	1000 A
Item no. POS-TW Serie	02.30.02.01050		02.30.02.01060	02.30.02.01070	02.30.02.01080
Item no. POS-TS Serie	02.30.02.02050				

# Positioners, heavy-duty

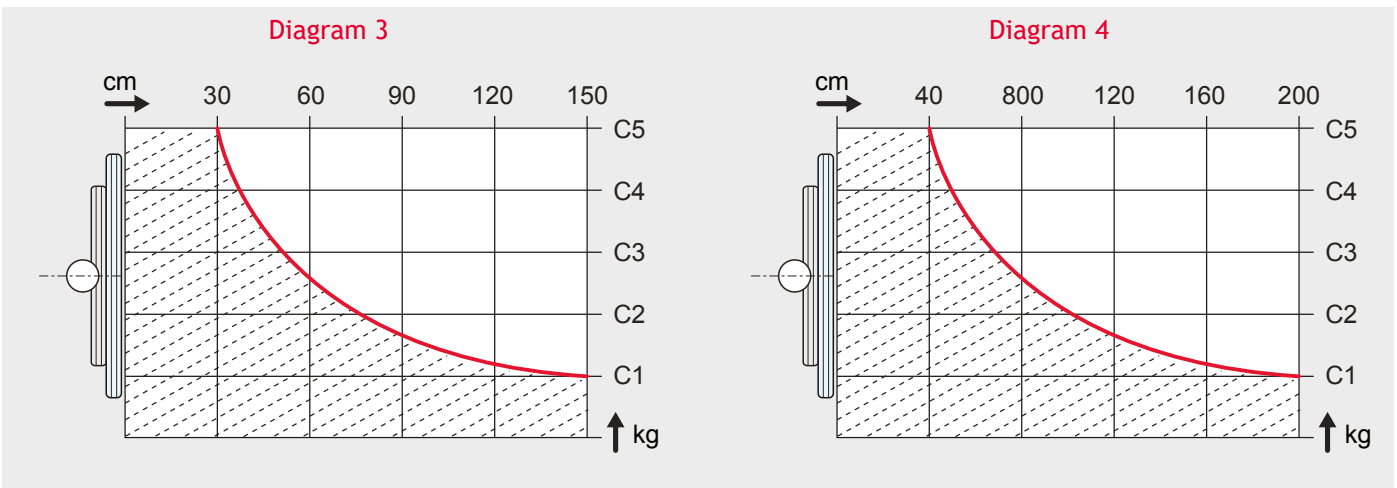
## Welding Positioner POS-TW and POS-TS series

### Eccentric load (E)



Exzentrisch	POS-1TW	POS-2TW	POS-3TW	POS-4TW	POS-5TW	POS-6TW	POS-8TW	POS-10TW
	Diagram 1		Diagram 2					
E1 (in kg)	200	400	600	800	1000	1.200	1.600	2.000
E2 (in kg)	400	800	1.200	1.600	2.000	2.400	3.200	4.000
E3 (in kg)	600	1.200	1.800	2.400	3.000	3.600	4.800	6.000
E4 (in kg)	800	1.600	2.400	3.200	4.000	4.800	6.400	8.000
E5 (in kg)	1.000	2.000	3.000	4.000	5.000	6.000	8.000	10.000

### Zentrische Last (C)



Zentrisch	POS-1TW	POS2TW	POS-3TW	POS-4TW	POS-5TW	POS-6TW	POS-8TW	POS-10TW
	Diagram 3						Diagram 4	
C1 (in kg)	200	400	600	800	1.000	1.200	1.600	2.000
C2 (in kg)	400	800	1.200	1.600	2.000	2.400	3.200	4.000
C3 (in kg)	600	1.200	1.800	2.400	3.000	3.600	4.800	6.000
C4 (in kg)	800	1.600	2.400	3.200	4.000	4.800	6.400	8.000
C5 (in kg)	1.000	2.000	3.000	4.000	5.000	6.000	8.000	10.000