

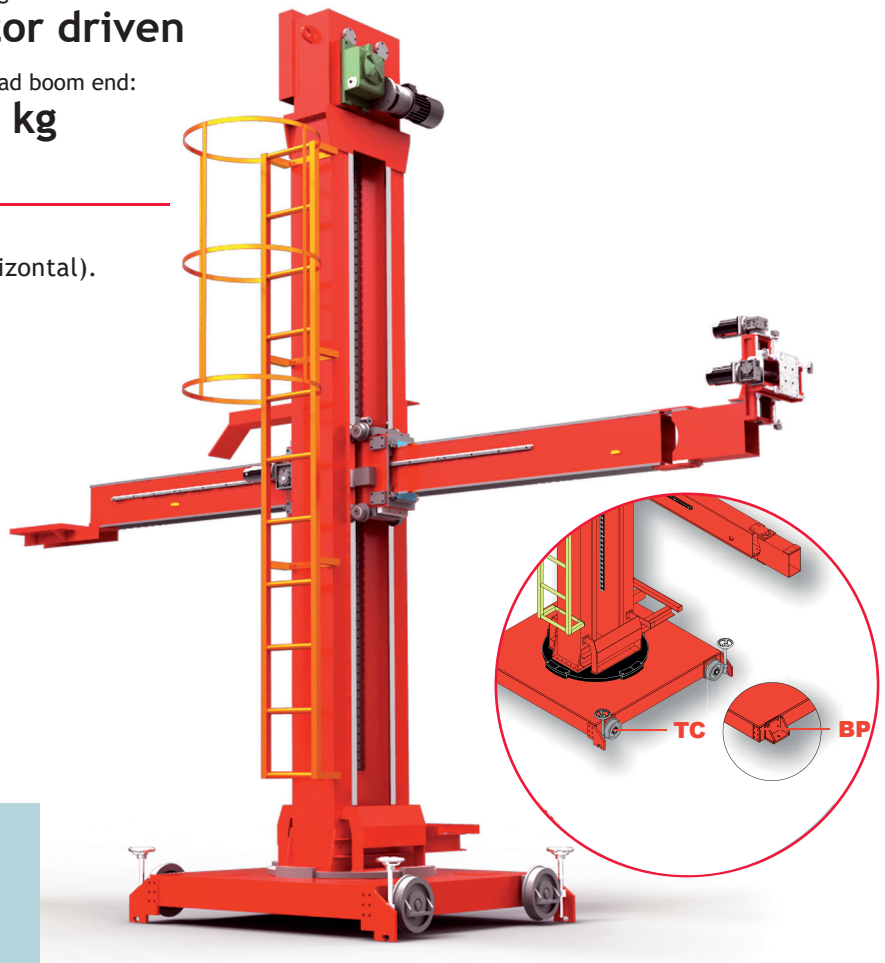
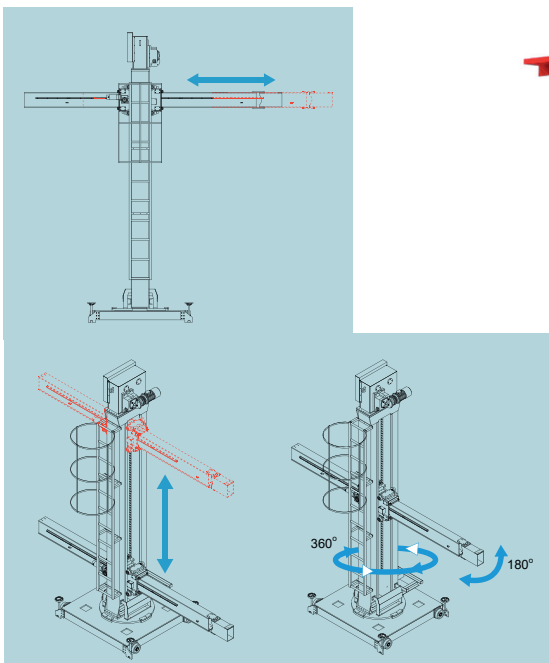
# Welding Masts

## Medium/Heavy version – TEA-3030 and TEA 4040

-  Vertical movement: **4.000 mm**
-  Rotating: **motor driven**
-  Horizontal movement: **4.000 mm**
-  Max. load boom end: **120 kg**

### Features

- Pivotal through 180°.
- Torch positioning motorized (vertical/horizontal).
- Simple assembly.
- High stability.
- Guided by linear slide and cross support.



**Scope of Delivery:**  
 1 Control  
 1 Cable remote control

Model	TEA-3030BP	TEA-3030TC	TEA-4040BP	TEA-4040TC
Boom Horizontal Stroke	3000 mm		4000 mm	
Boom Horizontal Speed	150 - 1500 mm/min.			
Arm Rotation Angle	180°			
Boom Vertical Stroke	3000 mm		4000 mm	
Boom Vertical Speed	800 mm/min.			
Boom End Max. Load	120 Kg			
Column Rotation Angle	360°			
Column Rotation Drive	Pushing of Boom			
Installation	On the ground	On the track	On the ground	On the track
Movement	N/A	Pushing of Column	Pushing of Column	
Track Type	N/A	15 kg Rail	N/A	15 kg Rail
Control	Hand Remote Box / The wire is 10M Cable			
Power	V1: AC220V/12A/60HZ/3phase V2 : AC380V/10A/50HZ/3phase V3 : AC440V/10A/60HZ/3phase			