

Modular Positioner Systems

Welding Positioner PRO 2 PN

With 60 mm hollow shaft

Features

- Tilting and clamping from 0° to 90°.
- Start/stop via location-independent foot switch.
- Rotating direction adjustable: cw/ccw.
- Rotating time adjustable.
- 60 mm hollow shaft.
- Table diameter: 340 mm. The surface is chrome-plated as a protection against weld spatters.
- Table speed adjustable from 0,6 – 6 rpm.
- Welding machine can be actuated via turntable control.
- Mass contact transmits 300A/100%.
- Turntable and control unit are separated.
- HF-protected.
- Welding positioner PRO 2 PN suitable for 3D welding tables.



Modell	PRO 2 PN
Supply voltage	AC 230 V/50 Hz
Ground connection	300 A/100 %
Tilting range	0° – 90°
Table diameter	340 mm
Speed	0,6 – 6 rpm
Torque	6,4 Nm
Rotating directions	rechtsdrehend/linksdrehend
Max. load horizontal	160 kg
Mounting hole circle Ø	114mm to max. 302 mm
Hollow shaft	60 mm
Slot width turntable	14 mm
Measur. (L x W x H) mm	385 x 340 x 375
Weight	54 kg
Item no.	02.30.01.10112

- COM-1000: easy control start/stop, cw/ccw
 COM-1802: easy control start/stop, cw/ccw
 COM-1803S: easy control start/stop, cw/ccw and with Speeddisplay
 COM-1800 VSF: with potentiometric foot switch
 COM-2800: with overlap welding, pneumatic control for automated welding
 COM-2803S: with overlap welding, pneumatic control and with Speeddisplay
 COM-3800: with overlap welding / Spot welding and tack welding
 COM-1803 ROB: with Robotic interface

Detailed information on PRO-turntable control systems on page 92!



Max. load of PRO 2 in horizontal position: 160 kg



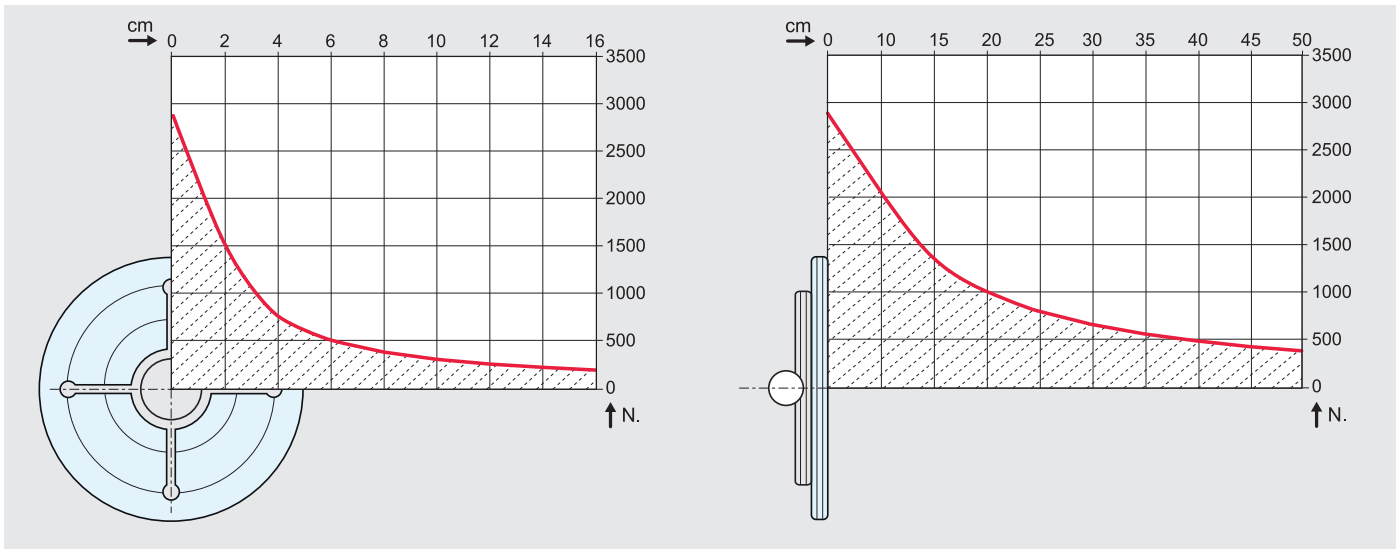
Modular Positioner Systems

Welding Positioner PRO 2 PN

Perfectly positioned

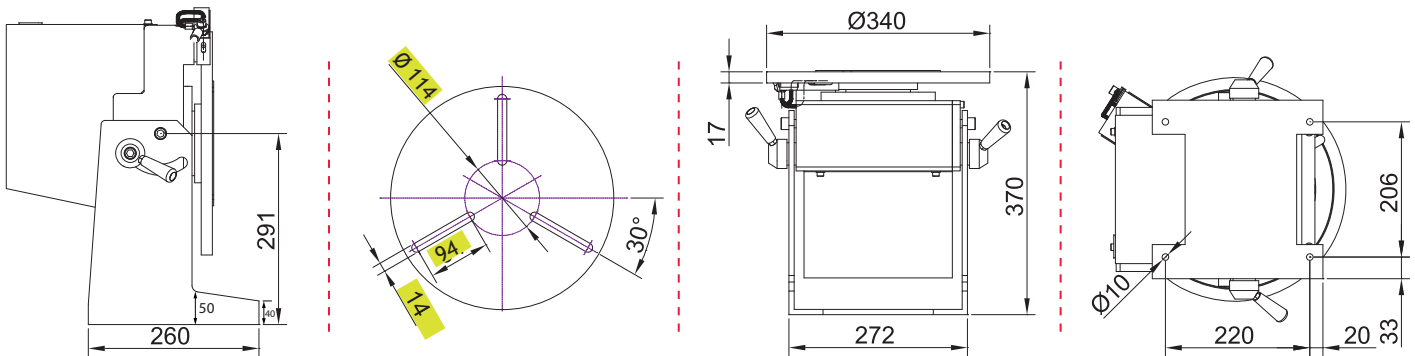
When choosing a turntable, the turning and tilting moment must be considered by all means. The distance between the center of gravity of the workpiece and the faceplate must be considered and the eccentric distance of the center of gravity and the center respectively. Don't forget

the weight of the clamping device. It is often higher than the weight of the workpiece itself. The workpieces can be positioned optimally for welding with a turning and tilting table. This improves productivity and quality significantly.



When choosing your positioner, please consider

- the center of gravity of your workpiece
- the weight of your tensioning device (chuck)



Note

suitable three-jaw chuck for Pro 2 Chuck 160 D
Chuck 200 D and Chuck 300 JW.

