

Positioners, heavy-duty

Horizontal Turntables POS HD series



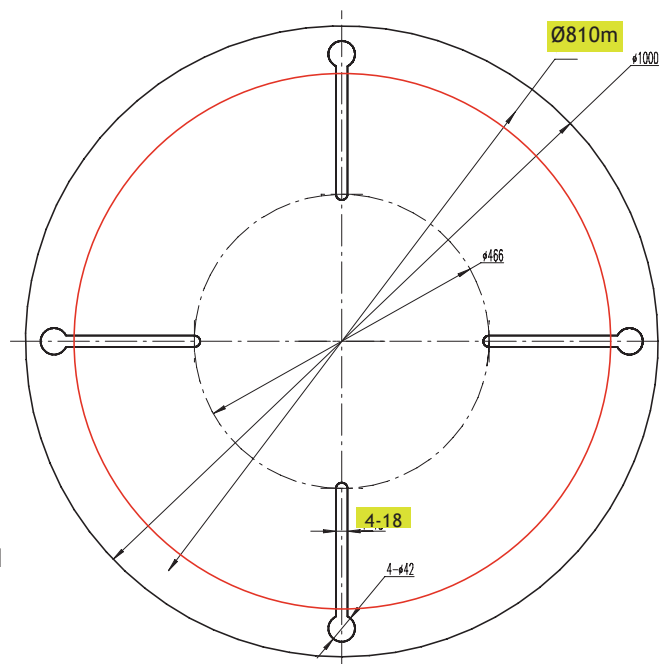
Features

- High gear ratio.
- Infinitely variable.
- Fast rotation.
- Dynamic brake.
- Speed remote control.

Scope of delivery:

Control unit (integrated)
Hand remote control

Figure above: Standard design with integrated control



Model	Item no.	Load	eccentric distance	Rotation speed	Diameter	Mounting hole circle Ø
POS 10 HD	02.30.04.00010	1.000 kg	300 mm	0,1 - 1 rpm	1000 mm	810 mm
POS 20 HD	02.30.04.00020	2.000 kg	300 mm	0,1 - 1 rpm	1200 mm	1110 mm
POS 30 HD	02.30.04.00030	3.000 kg	300 mm	0,1 - 1 rpm	1400 mm	1170 mm
POS 50 HD	02.30.04.00050	5.000 kg	300 mm	0,1 - 1 rpm	1800 mm	1270 mm
POS 100 HD	02.30.04.00100	10.000 kg	300 mm	0,05 - 0,5 rpm	2000 mm	1750 mm
POS 300 HD	02.30.04.00300	30.000 kg	300 mm	0,05 - 0,5 rpm	2000 mm	1700 mm
POS 500 HD	02.30.04.00500	50.000 kg	300 mm	0,05 - 0,5 rpm	2000 mm	1700 mm
POS 1000 HD	02.30.04.01000	100.000 kg	300 mm	0,05 - 0,5 rpm	2200 mm	1900 mm