

Turntables for tube machining

POS-150MN Welding Positioner

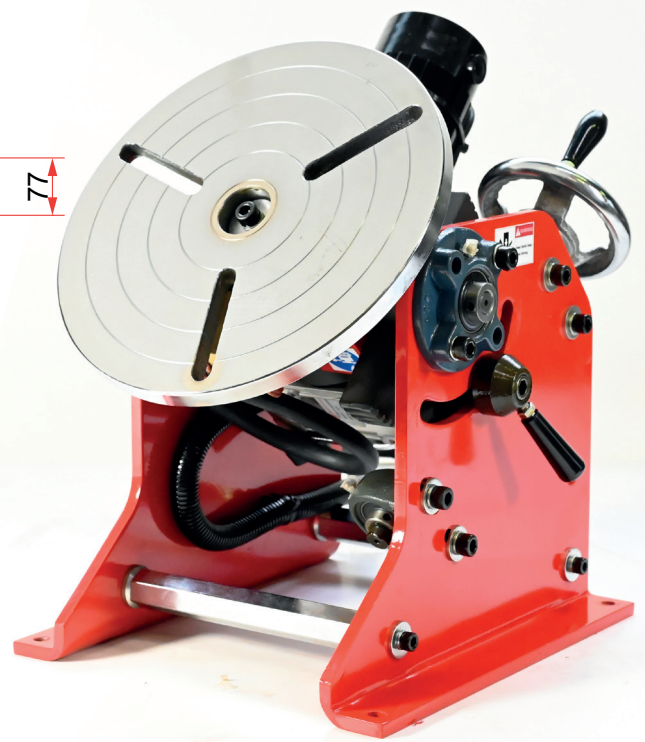
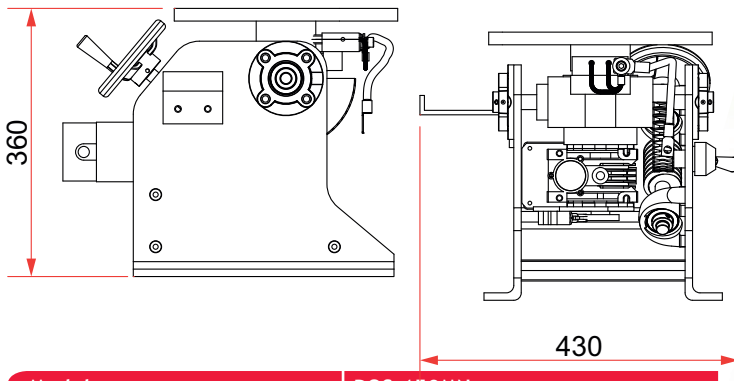
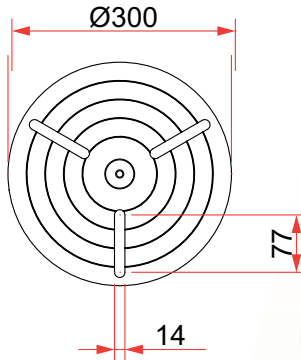
with increased torque, suitable for tube machining

Useful and multifunctional

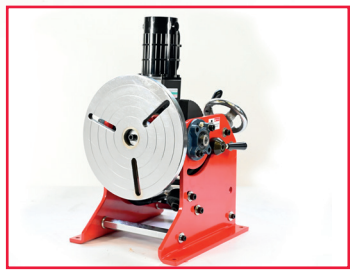
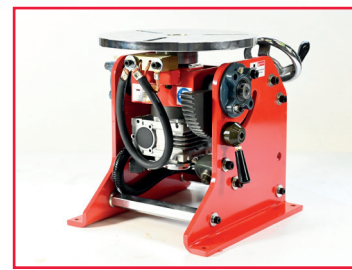
The POS-150MN is the best solution for lifting, turning and tilting pipes

Features

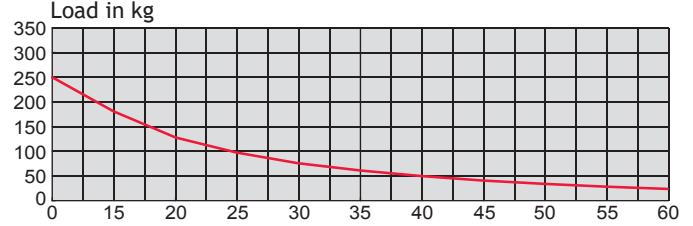
- Suitable for flange welding
- The POS-150M pipe welding positioner can be manually tilted at an angle of 0° to 90°.
- with a load capacity of 150 kg



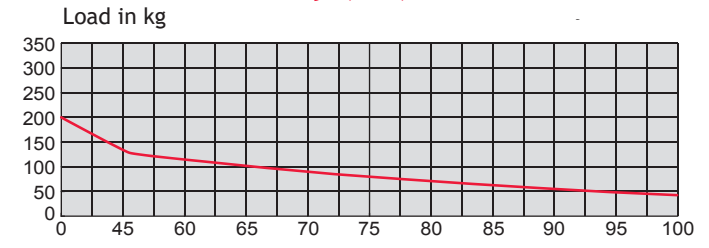
Model	POS-150MN
Supply voltage	AC230V / 8A / 50Hz / 1Ø
Drive motor	DC100W/90V DC Motor
Max. load	150 kg
Eccentricity	15 mm
Center of Gravity	60 mm
Table diameter	300 mm
Table speed	0,6 - 6,0 RPM
Torque	22,4 Nm
Table tilt angle	0° - 90°
Table tilt speed	manual
Table angle lock	Screw fixed
Control method	Inch / Timer
Welding current	300 A / 100%
Timer	0-240 sec
Stop the brake	magnetic
Arc way of the welder	Standard (2-cycle)
HF-Protect	95%
Start the device	Pedal switch (2M)
Item no.	02.30.01.11150



Eccentric Center (cm)



Center of Gravity (cm)



- COM-1000: easy control start/stop, cw/ccw
- COM-1802: easy control start/stop, cw/ccw
- COM-1803S: easy control start/stop, cw/ccw and with Speeddisplay
- COM-1800 VSF: with potentiometric foot switch
- COM-2800: with overlap welding, pneumatic control for automated welding
- COM-2803S: with overlap welding, pneumatic control and. with Speeddisplay