

# Support Block

Height-adjustable support block up to 1000 kg

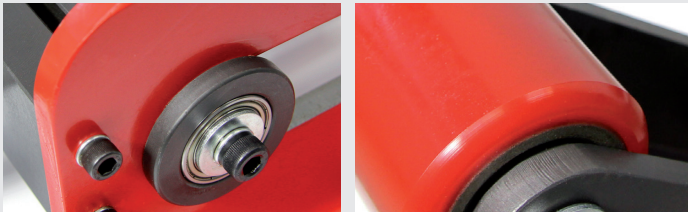
## Support block-EVR

### Useful and versatile

EVR series can be adapted quickly to many workpiece diameters. Especially for circular weld seams and long workpieces the support block is almost indispensable.

### Features

- Robust steel construction with polyurethan coated rolls.
- Quick and easy adjustment to different workpiece diameters.



High quality, polyurethan coated rolls.

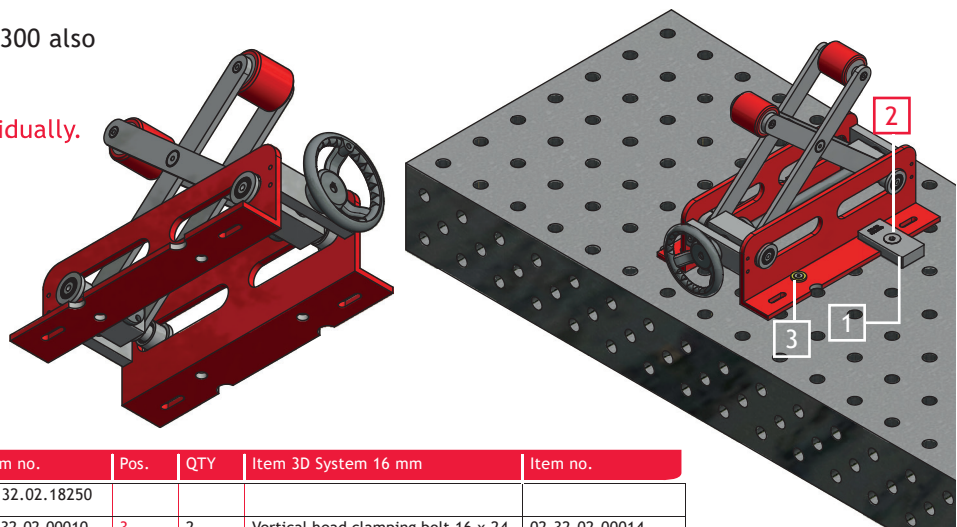
Model	EVR-300	EVR-500	EVR-700	EVR-1000
Workpiece diameter	30 – 320 mm	75 – 420 mm	75 – 700 mm	250 – 1100 mm
Max. load	300 kg	500 kg	500 kg	1000 kg
Rollers diameter	65 mm	80 mm	80 mm	150 mm
Rollers Wide	70 mm	100 mm	100 mm	130 mm
Centre height	500 mm	615 mm	670 mm	1100 mm
Weight	38 kg	47 kg	57 kg	256 kg
Item no.	02.20.12.10030 (old: 71850020)	02.20.12.10050 (old: 71850030)	02.20.12.10100 (old: 71850040)	02.20.12.10071 (old:71850050)

### Support block-EVR-300 suitable for 3D table

Now we offer the support block EVR-300 also suitable for 3D tables.

We will be happy to advise you individually.

The EVR-300 has mounting holes at the bottom of the frame for fixing. Thanks to the special bolts, the roller support block can be attached very easily, quickly and safely.



Pos.	Qty	Item 3D System 28 mm	Item no.	Pos.	QTY	Item 3D System 16 mm	Item no.
1	1	Hold-down clamp EVR	02.32.02.18250				
2	2	Vertical head clamping bolt 28x50 mm	02.32.02.00010	3	2	Vertical head clamping bolt 16 x 24	02.32.02.00014