

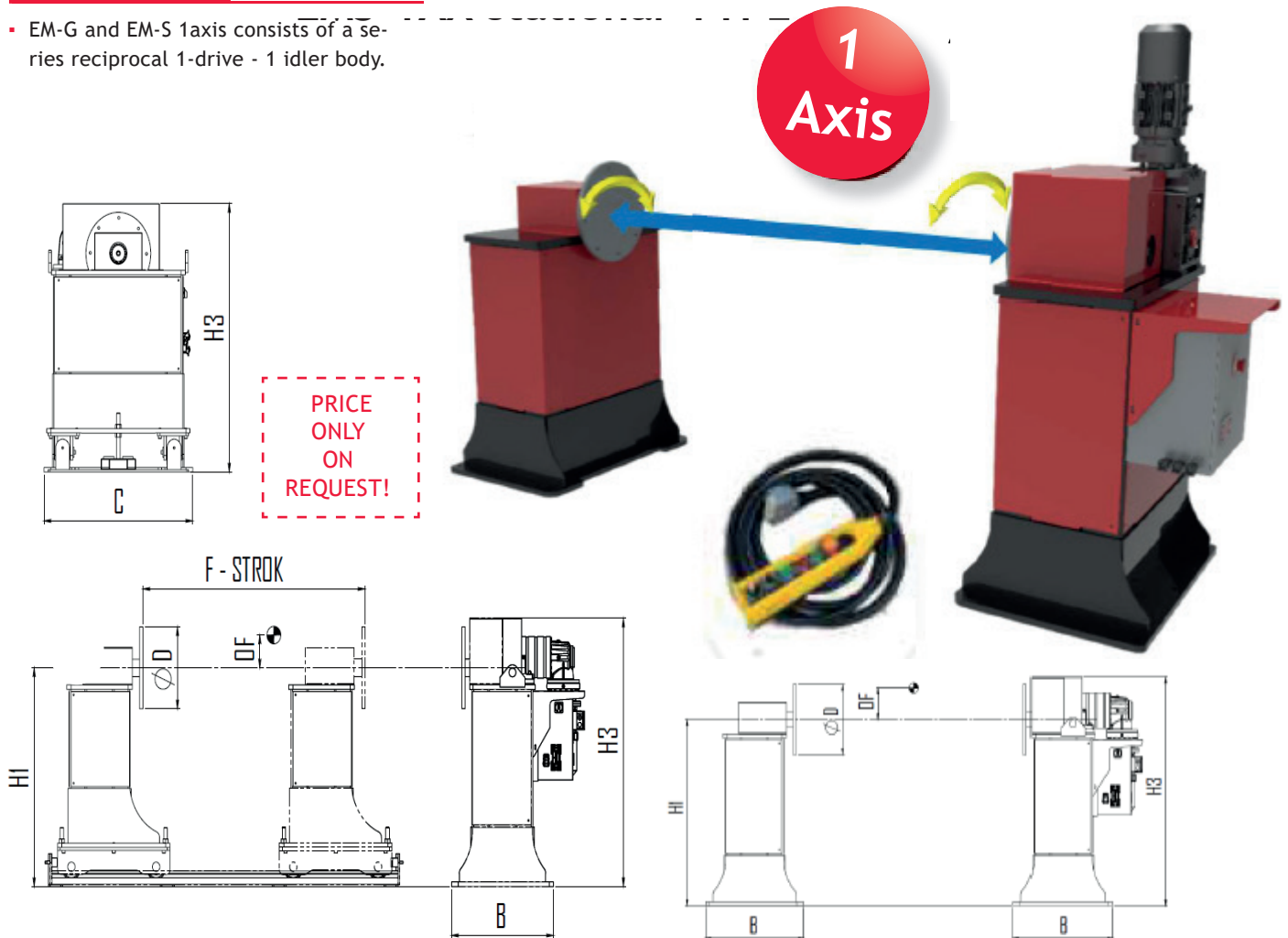
Positioners, heavy-duty

Vertical turntable

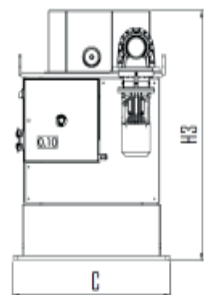
EM-S fix 1-axis stationary type

Features

- EM-G and EM-S 1axis consists of a series reciprocal 1-drive - 1 idler body.



Model EM-G / EM-S 1axis	pic. EM-S	EM-1S	EM-2S	EM-3S	EM-5S
Capacity		1000 kg	2000 kg	3000 kg	5000 kg
Rotation Speed		0,2 - 1,2 rpm	0,2 - 1,5 rpm	0,2 - 1 rpm	0,2 - 1,2 rpm
Max. Rotational Torque		1500 Nm	3000 Nm	4500 Nm	5000 Nm
Rotation Axle Height	H1	1000 mm	1000 mm	1000 mm	1250 mm
Offset Distance (mm)	OF	150 mm	150 mm	150 mm	100 mm
Worktable Diameter	ØD	375 mm	375 mm	375 mm	500 mm
Max. Workpiece Diameter		2000 mm	2000 mm	2000 mm	2500 mm
Heigh	H3	1220 mm	1220 mm	1220 mm	1500 mm
Length	B	520 mm	590 mm	650 mm	670 mm
Width	C	800 mm	860 mm	980 mm	1060 mm
Motor power turntable		0,37 kW	0,55 kW	0,75 kW	1,1 kW
Weight EM-S		590 kg	760 kg	890 kg	1270 kg



QR code
for more
Information