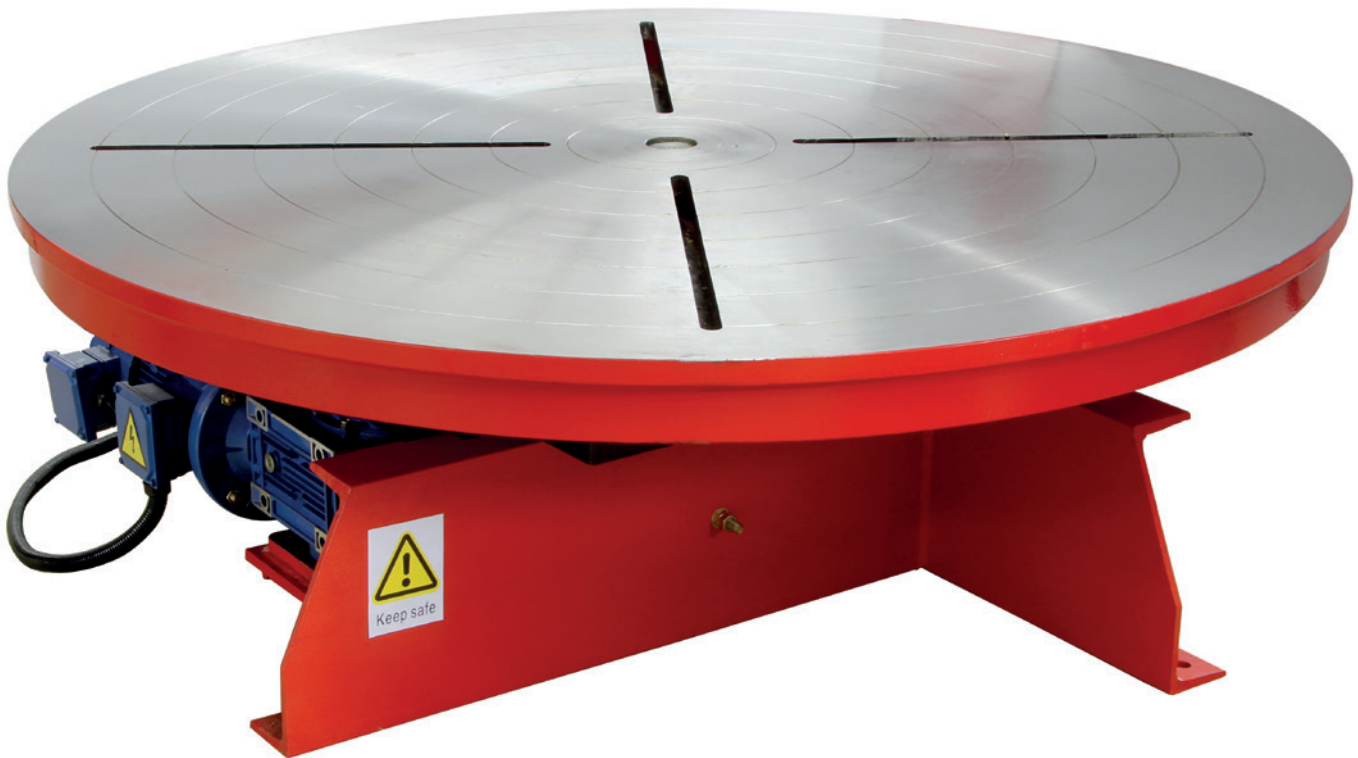


Horizontal Turntables POS HD series

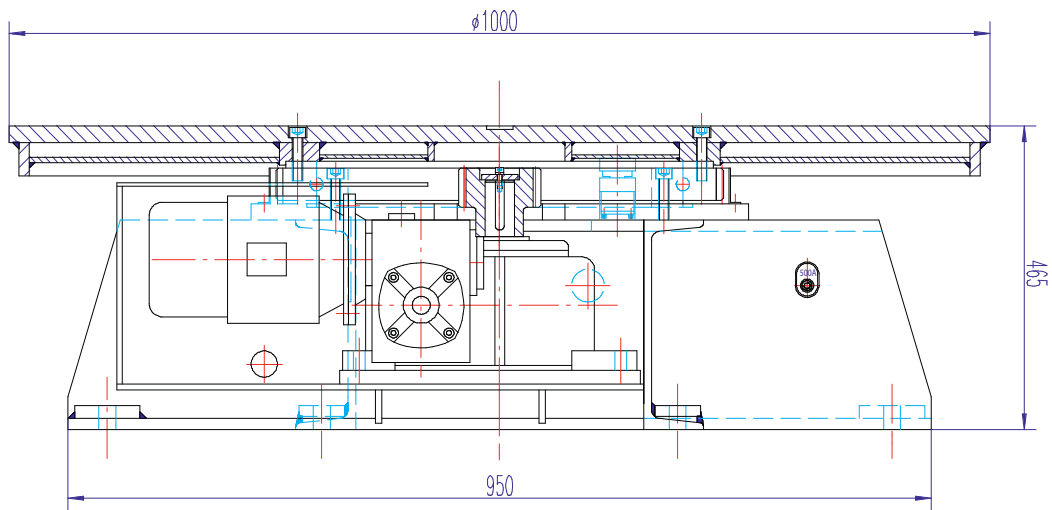


Features

- High gear ratio.
- Infinitely variable.
- Fast rotation.
- Dynamic brake.
- Speed remote control.

Model	POS 5 HD	POS 10 HD	POS 20 HD	POS 30 HD	POS 50 HD	POS 100 HD
Load	5 t	10 t	20 t	30 t	50 t	100 t
Rotating speed	0,05 – 0,5 rpm	0,05 – 0,5 rpm	0,05 – 0,5 rpm	0,05 – 0,5 rpm	0,025 – 0,25 rpm	0,02 – 0,2 rpm
Torque	1600 Nm	2800 Nm	6000 Nm	6000 Nm	16800 Nm	30000 Nm
Table diameter	1500 mm	1800 mm	2000 mm	2200 mm	2200 mm	2500 mm
Table height (ca.)	487 mm	557 mm	556 mm	600 mm	800 mm	850 mm
Power	1,1 KW	1,1 KW	1,5 KW	1,5 KW	2,2 KW	3,5 KW
Control unit	infinitely variable gear ratio					
Item no.	71843040	71843050	71843055		71843060	71843065

Horizontal Turntables POS HD series



Construction (example with small turning table)

